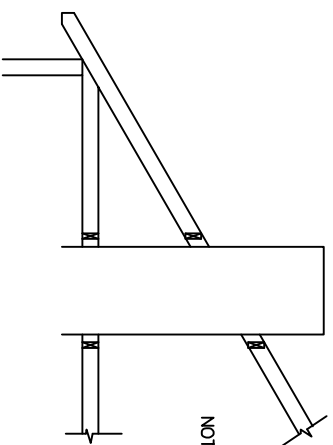


Plan



Elevation

NOTE: ALL Trimmers to be a min. of 50mm from face of blockwork.

Timbertech Homes Ltd.

Ballinakil Yard,
 Enfield,
 Co. Meath.
 Tel: ++353 (0) 46 954 2854
 Fax: ++353 (0) 46 954 2853

Copyright 2017
 RECEIVED, INSPECTED,
 AND APPROVED -
 DATE- _____
 SIGN- _____

Client: Timbertech Homes Ltd. Ballinakil Yard Enfield, Co. Meath	Date: 13/11/2017 Drawn by: Fergal O' Malley
Title: Chimney trimmer	Drawing Nr: DET. 16 Project: Details